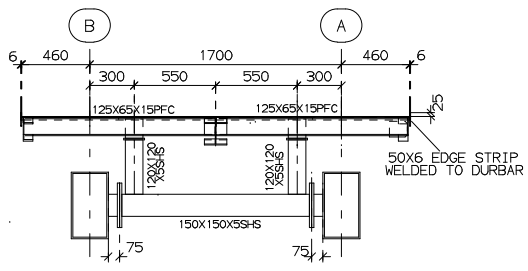
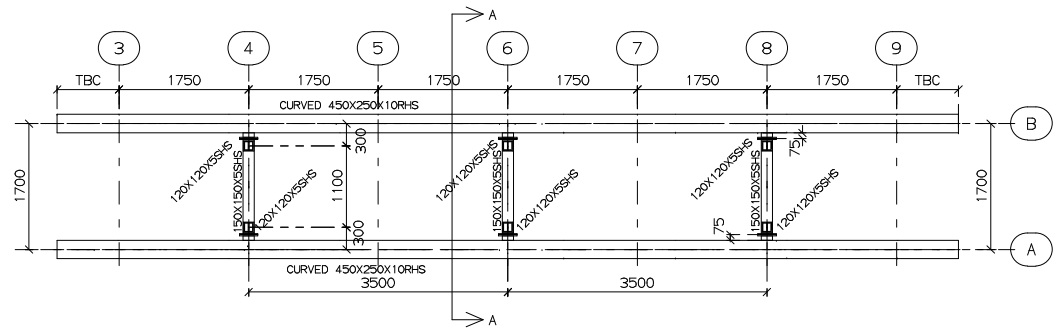


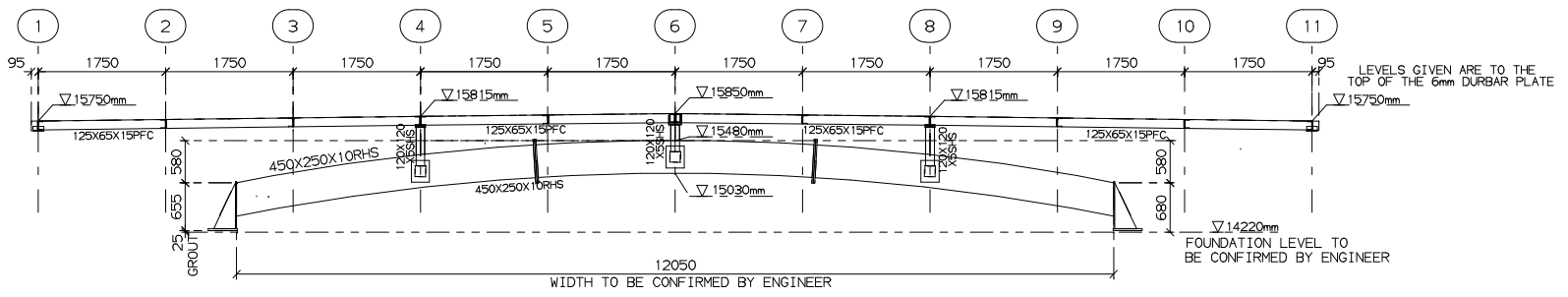
DECK FINISHED WITH 6mm DURBAR  
 ALL HOT ROLLED SUPPORTS 125X65X15PFC U.N.O.  
 PLAN ON BRIDGE DECK



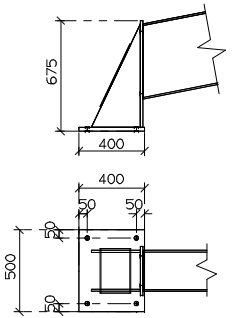
SECTION A - A



PLAN ON BRIDGE SUPPORT BEAMS



BRIDGE ELEVATION



RHS BASE DETAIL

				GENERAL NOTES:	CLIENT KDDF	DRAWN	PDR	08/11/11	PDR-DRAUGHTING THE COACH HOUSE, KENNEL LANE, WEBBINGTON, BS26 2QA TEL: 07834408935 EMAIL: PHIL@PDR-DRAUGHTING.CO.UK			
						PROJECT Footbridge	CHECKED	PDR				08/11/11
A	PDR	08/11/11	RHS LENGTH & BASE DETAIL ADDED						SCALE	JOB No	DWG No.	REV
REV	BY	DATE	DETAILS		TITLE Goodlands Garden				NTS	2626	GA01	A